

# YLAA

## Air-cooled scroll compressor chiller

Cooling capacities from 190 kW to 519 kW



### Options / Accessories

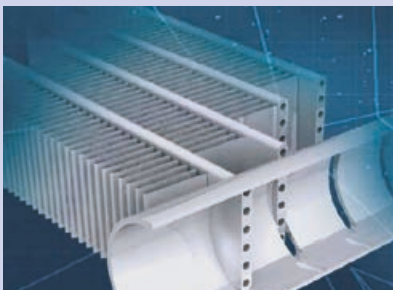
- Soft start
- Power Factor Correction Capacitors
- Low ambient kit
- BMS Interfacing options
- Dual pressure relief valves
- Victaulic coupling
- Flow switch
- Heat recovery option
- Enclosure options
- Sound attenuation options
- Anti-vibration mounts options
- Hydrokits with single and dual pump
- Epoxy Post-coated Dipped Microchannel Coils
- VSD Fans

### Features

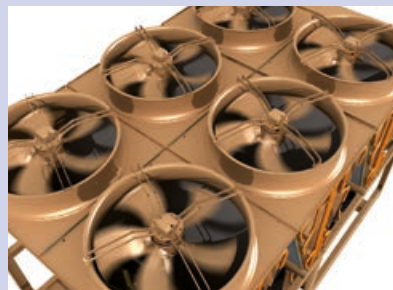
The **YORK YLAA TEMPO** air-cooled chiller is an environmental leader.

Utilising scroll type compressors and microchannel condenser coil technology the **YLAA** delivers premium efficiency for all air conditioning applications.

**YLAA** chillers are a self-contained cooling solution that is light-weight and compact for convenient installation on the ground or on building rooftops.

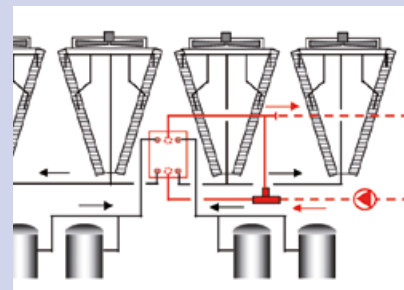


The TEMPO delivers energy efficiency levels that surpasses Eurovent A Class requirements. Aluminium microchannel condenser coil technology is one reason for this premium efficiencies.



Ultra quiet operation can be obtained through optional dual or low speed fans and a compressor accoustic enclosure.

A single point power connection and optional, factory packaged water pumps, water filter and flow switch provide fast and easy installation.



An optional heat recovery feature can be added to provide hot water to 50°C; which is useful for facility heating or hot water preheating.



# Air-cooled scroll compressor chiller

YLAA 0180 to 0517

## Nominal capacity

YLAA SE	0180	0210	0241	0286	0320	0360	0400	0435	0485
Cooling capacity (kW)	190	205	219	272	310	349	388	423	473
EER	2.97	2.42	2.74	2.62	2.44	2.57	2.45	2.55	2.48
ESEER	3.97	3.43	3.60	3.84	4.37	3.84	4.55	3.75	3.74
ESEER with VSD	-	-	-	-	-	-	-	-	-
Sound power level dB(A)	89	89	91	93	94	94	95	96	96
Sound power level Low Noise Version dB(A) *	82	83	84	87	87	87	87	89	89

YLAA HE	0195	0221	0261	0301	0350	0391	0442	0457	0517
Cooling capacity (kW)	198	212	248	295	344	380	426	455	519
EER	3.10	3.20	3.08	2.99	2.95	2.96	2.96	2.90	2.93
ESEER	4.25	4.15	4.08	3.98	4.31	4.12	4.1	3.98	4.16
ESEER with VSD	-	4.44	4.34	4.27	4.31	4.36	4.40	4.30	4.40
Sound power level dB(A)	89	91	93	93	94	95	95	96	96
Sound power level Low Noise Version dB(A) *	82	84	87	86	87	88	88	89	89

At leaving chilled water temperature of 7°C, and ambient temperature of 35°C.  
 \* Low noise version fits Ultra Quiet Fans and compressor acoustic enclosures

## Technical data

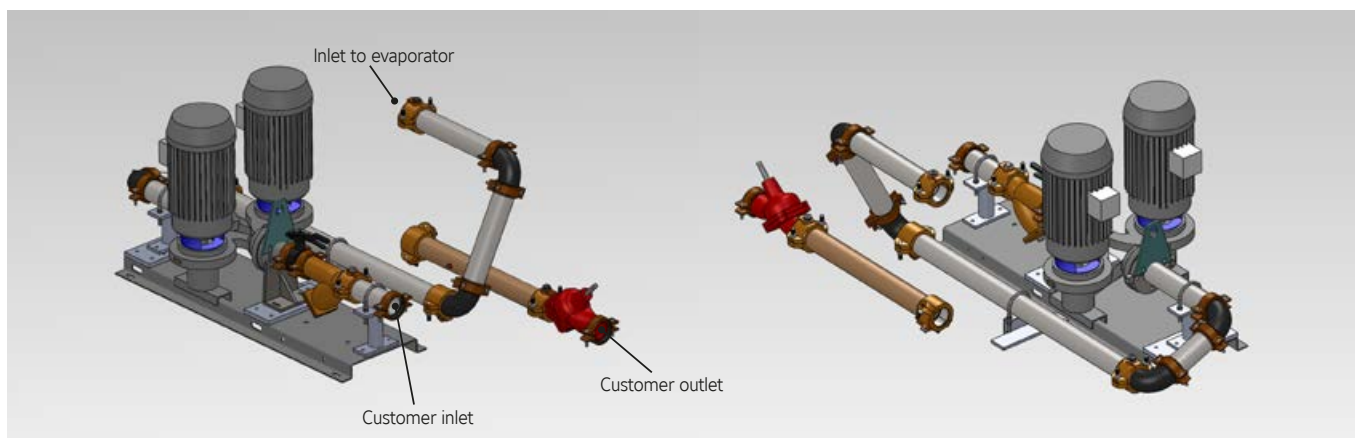
YLAA SE			0180	0210	0241	0286	0320	0360	0400	0435	0485
Dimensions	Length	mm	2911				3614				
	Width	mm					2242				
	Height	mm					2508				
Operating weight kg			1681	1725	1785	1853	1937	2814	2873	2642	2755

YLAA HE			0195	0221	0261	0301	0350	0391	0442	0457	0517
Dimensions	Length	mm	2911			3614			4769		
	Width	mm				2254					
	Height	mm				2507					
Operating weight kg			1706	1721	1851	2170	2339	2508	3343	3481	3615

## YLAA Pump Kit

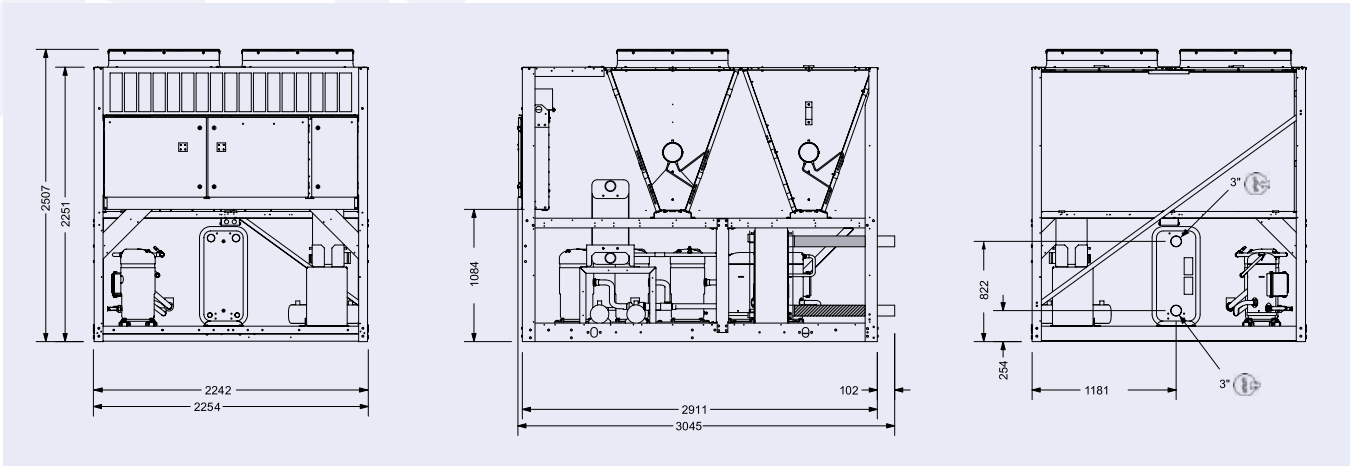
- Two option levels - basic and full featured - for maximum flexibility
- More impeller size options for better match to customer requirements
- New, smaller pump motors suitable for primary-secondary systems
- VSD option by SQ



Manufacturer reserves the rights to change specifications without prior notice.

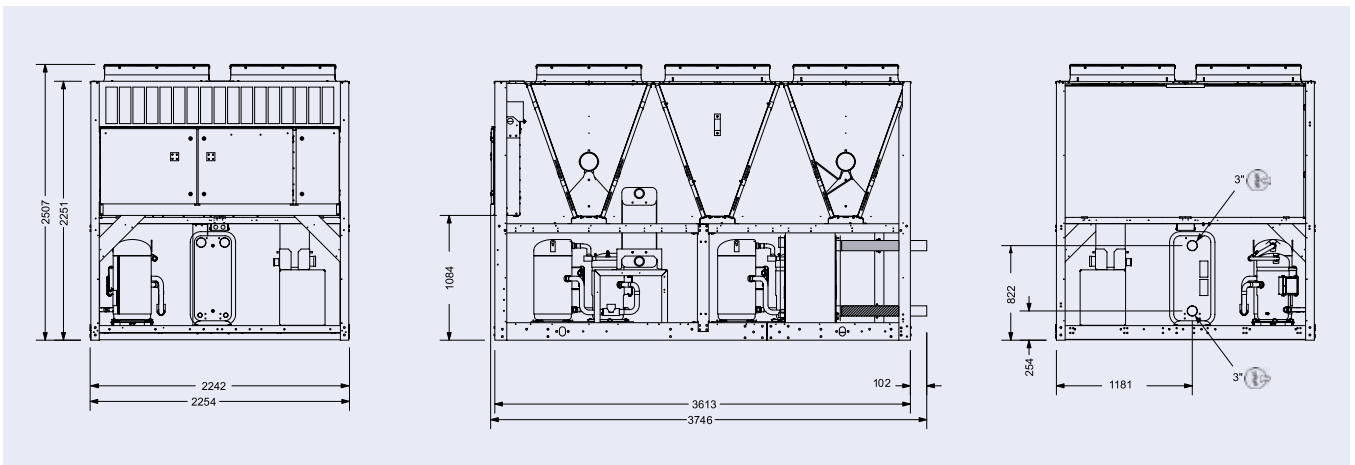
# Dimensions and hydraulic connections

YLAA0180SE, 0210SE, 0241SE, 0286SE, 0320SE, 0195HE, 0221HE & 0261HE



All dimensions in mm. Drawings not a scale.

YLAA0360SE, 0400SE, 0435SE, 0485SE, 0301HE & 0391HE

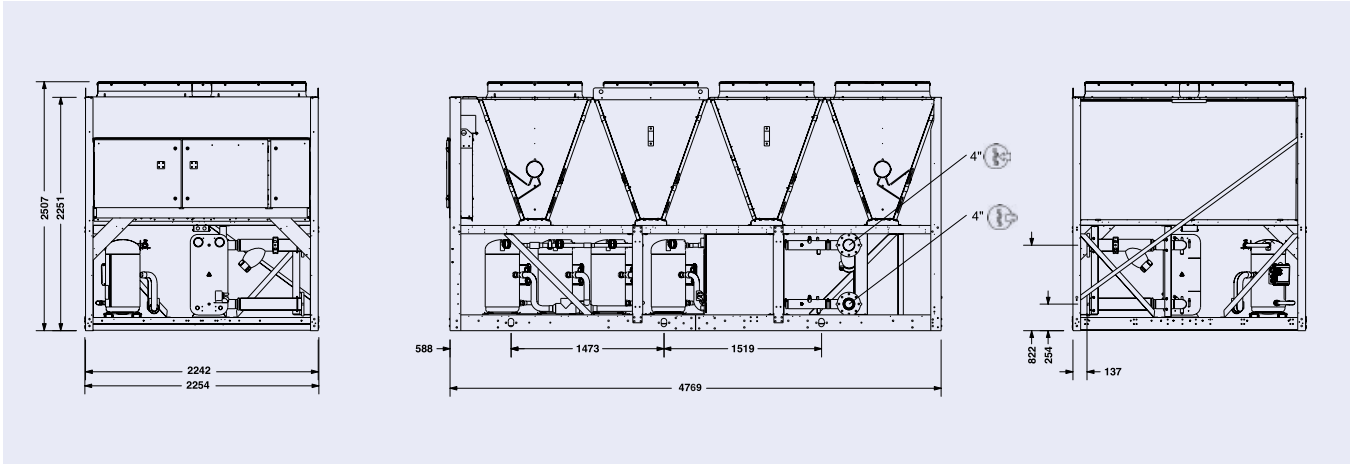


All dimensions in mm. Drawings not a scale.

# YLAA 0180 to 0517

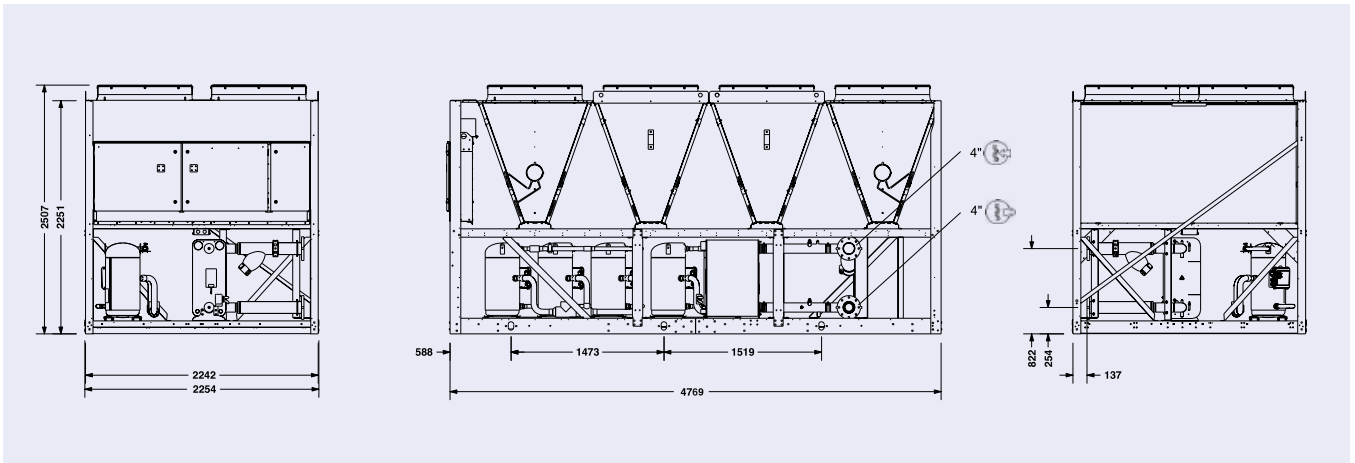


## YLAA0442HE



All dimensions in mm. Drawings not a scale.

## YLAA0457HE & 0517HE



All dimensions in mm. Drawings not a scale.